

SCISSORS LIFT

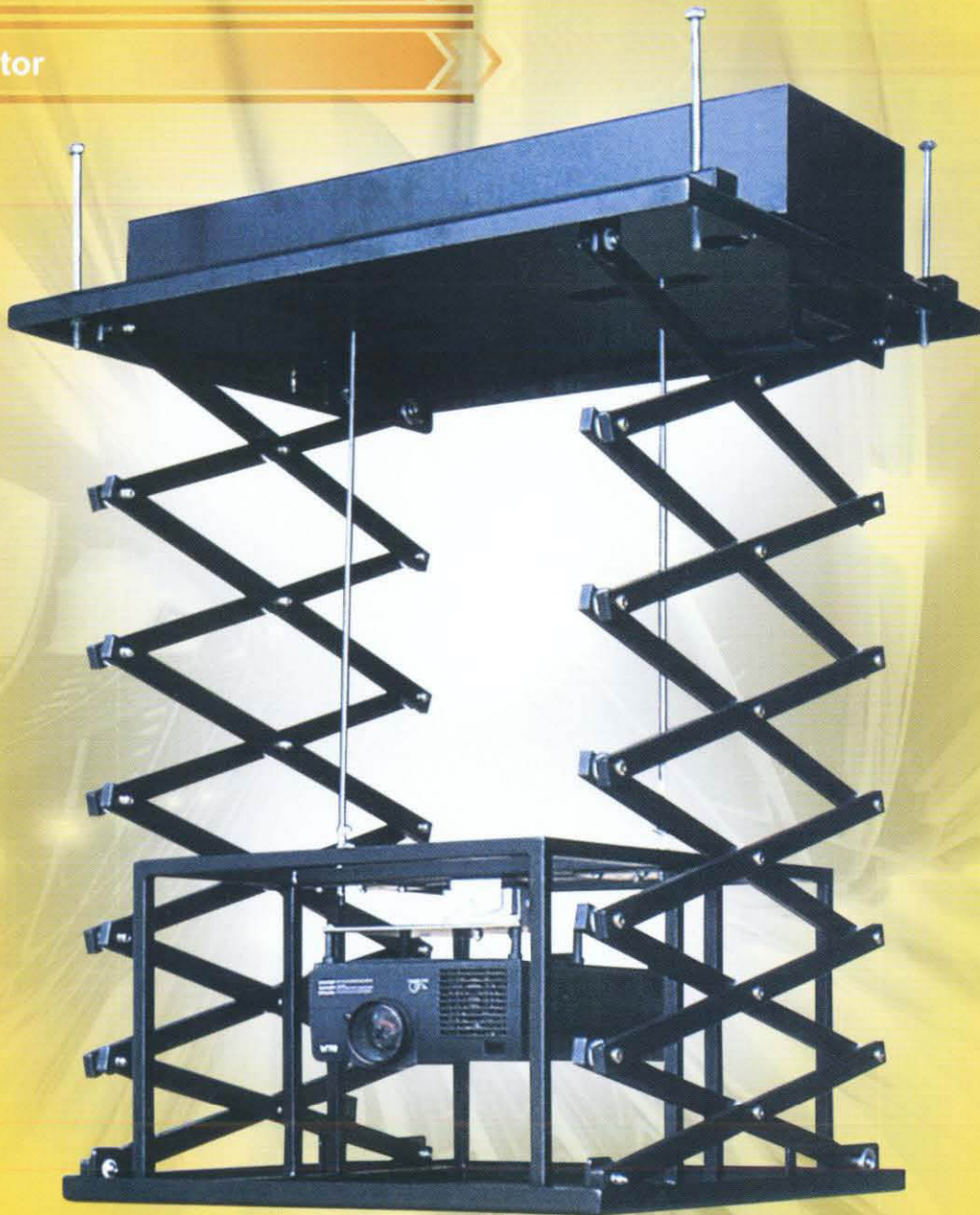


➤ Store, show & service position

➤ Electronic limit switch

➤ Setting allows from the ground

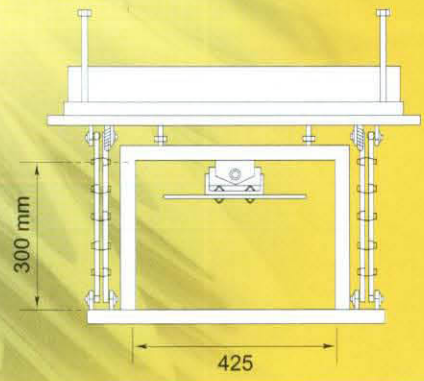
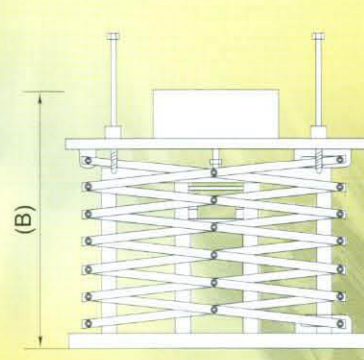
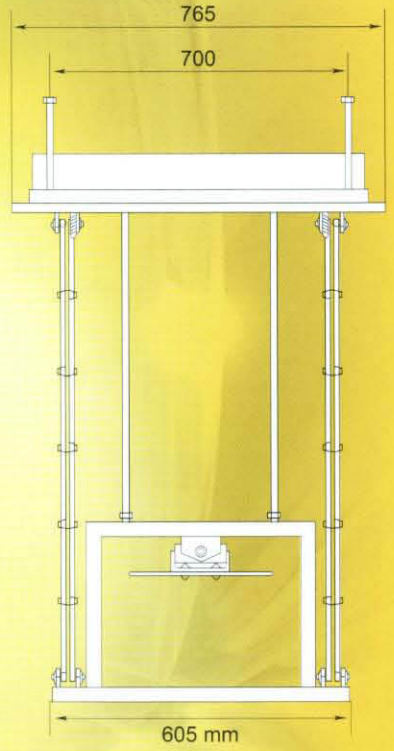
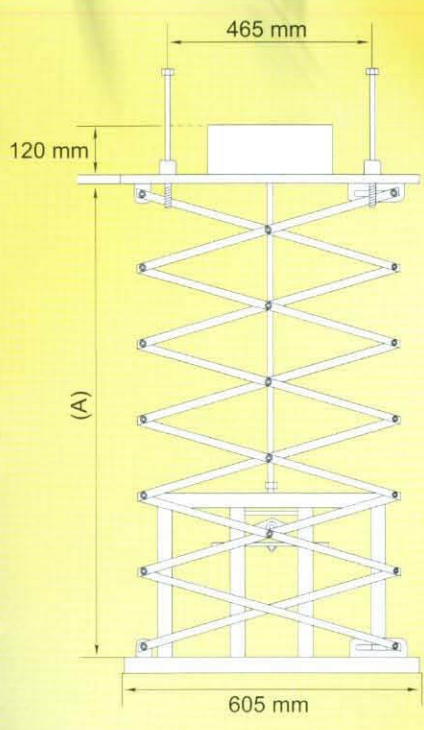
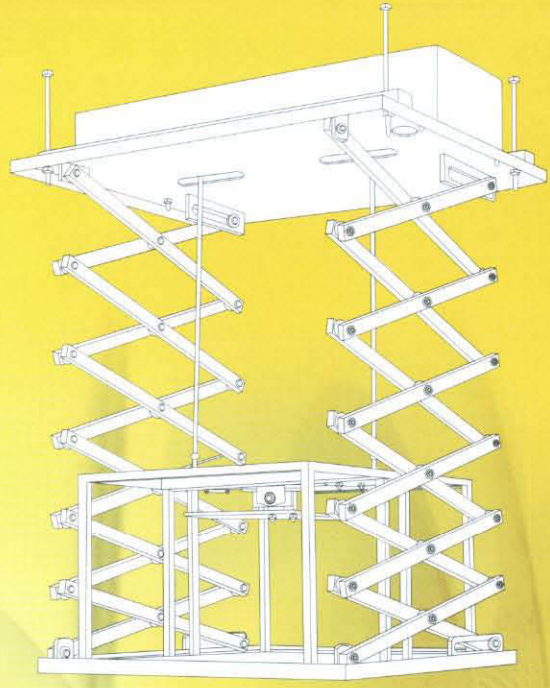
➤ Silent motor



The **XLT SCISSORS LIFT** is a reliable and affordably priced lift where it can accommodate most LCD/DLP projectors weighing 33kg or less. With the convenience of a remote setting controller with 3 programmable positions, it provides an attractive solution to recess a projector in the ceiling. Depending on usage and/or requirement, the lift can be fully extended to reach ground level.

With its slick and quiet operation, the **XLT SCISSORS LIFT** enhances the professional image in your boardrooms, auditoriums, lecture theatres and a host of other special purposed rooms where aesthetics is of a paramount concern.

SCISSOR LIFT



Model	Dimension (W x D)	Height in closed position *B	Maximum Lowering *A	Maximum weight capacity	Power Consumption	Voltage
XLT-SC-40	760mm x 605mm	550mm	4.0 metres	33 kgs	170W	230-240V
XLT-SC-60	760mm x 605mm	650mm	6.0 metres	30 kgs	170W	230-240V